

# Krape Park Balustrade Railing Renovation Request for Proposals



1122 S. Burchard Ave; PO Box 417  
Freeport, IL 61032

**Sealed Proposals are due by: Wednesday, April 10, 2024 at 10:00 AM:**

Freeport Park District is accepting sealed bids for the removal and reconstruction of a balustrade approach to the main entry bridge over Yellow Creek into Krape Park. The contract will include removing 76' of old concrete railing; preservation and repairs to existing concrete base and wall; pouring new concrete columns; fabrication of a metal railing to match the existing railing on the adjacent bridge; and installation of new metal railing with painting to match existing bridge. All questions concerning specific work to be done should be directed to Bruce Cubberley, Superintendent of Parks and Natural Resources at [bcubberley@freeportparkdistrict.org](mailto:bcubberley@freeportparkdistrict.org) or (815) 801-8703.

Freeport Park District reserves the right to reject any or all proposals, to waive technicalities, and to accept any proposal which it deems to be in the best interest of Freeport Park District.

## **I. GENERAL CONDITIONS**

### **INSTRUCTIONS TO BIDDERS**

Bids must be submitted on the Proposal Form accompanying this Request for Proposals, and all information called for thereon must be furnished. Bids submitted in any other manner or which fail to furnish all information required may be rejected. Any bid received after the exact time specified for receipt will not be considered.

Envelopes containing bids must be sealed and addressed to the Park District office stated in this Request for Proposals. The name and address of the bidder must be shown in the upper left corner of the bid envelope. The date and hour of bid opening with the phrase "Balustade Railing Renovation" must be shown in the lower left corner of the envelope.

### **BASIS OF AWARD:**

Selection of the Contractor will be based on the following considerations in order of importance:

1. Cost
2. References with preference awarded to references from Public Sector Agencies and/or Corporate Organizations served
3. Years of relevant experience

### **PERFORMANCE BOND:**

If the Contract Price is greater than \$150,000, the Bidder shall deposit with the Freeport Park District before commencing any work a Performance Bond per Public Construction

Bond Act (30 ILCS550) for the full amount of the contract, guaranteeing the faithful performance of the work in accordance with the contract, the payment of all indebtedness incurred for labor and materials, and guarantee correction of work for a period of one (1) year after final payment. The cost of each bond shall be included in the contract price set forth above. The surety must be approved by the Park District and be licensed to conduct business in the State of Illinois and be named in the current list of "Surety Companies Acceptable on Federal Bonds," as published in the Federal Register by the Audit Staff, Bureau of Accounts, U.S. Treasury. The Bidder and all subcontractors shall name the Freeport Park District as an obligee on all bonds. Said bonds shall meet the requirements of the Illinois Public Construction Bond Act, 30 ILCS 550/0.01 et seq. and any future amendments thereto. Bidder shall include in its performance and payment bond, such language that will guarantee the faithful performance of the Prevailing Wage Act.

**WAGE RATES AND OTHER APPLICABLE CONDITIONS:**

Illinois Department of Labor's Prevailing Wage Requirements apply to this project. Bidders must also comply with all other applicable federal, state and local laws, rules and regulations including but not limited to:

- DRUG FREE WORKPLACE ACT
- ILLINOIS HUMAN RIGHTS ACT

**SUBCONTRACTORS:**

The Contractor shall not employ any subcontractor, supplier or other person or organization, whether initially or as a substitute, against whom the Park District may have reasonable objection. The selected Contractor shall submit to Freeport Park District within ten (10) days after the receipt of proposals, a list of the names of Contractor's proposed subcontractors along with a description of the work to be performed by each.

**APPLICATION FOR PAYMENT:**

The Contractor shall furnish with his/her final application for payment a complete release of final liens arising out of this contract, or receipts in full in lieu thereof and an affidavit that the releases and receipts cover all labor, including any subcontractors, and materials from any suppliers for which a lien could be filed.

**WORKING HOURS:**

Working hours are 7:00 AM to 5:00 PM Monday thru Friday. The Contractor cannot perform any work on Saturday or Sunday.

**INSURANCE:**

The successful contractor must provide the Park District with a certificate of general liability insurance in the amount of \$2,000,000 naming the Park District as additionally insured.

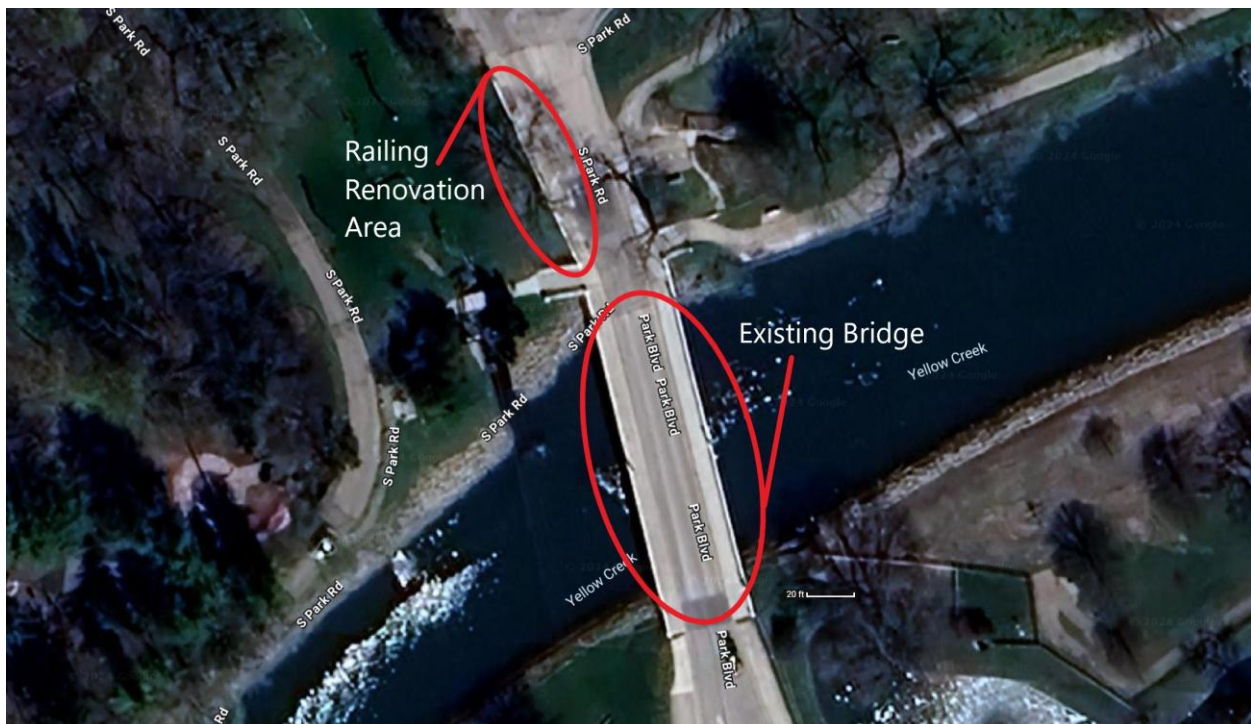
**CONTRACT TERM:**

This Agreement shall begin on **April 17, 2024** and end on **September 1, 2024**.

## II. BALUSTRADE RAILING REMOVAL and REPLACEMENT SPECIFICATIONS

### LOCATION OF WORK:

The location of work is in Freeport, Illinois at Krape Park—1799 South Park Boulevard.





**DESCRIPTION OF WORK:**

Project area will include the 76' of approach railing, the concrete base retaining wall under the railing (backside), and adjacent balustrade structure that is left intact.

**DEMOLITION AND REMOVAL:**

- Saw cut railing from the structural sections that will remain.
- Remove the existing concrete balustrade and any associated hardware or attachments.
- Ensure proper disposal of demolished materials in accordance with state and local regulations.



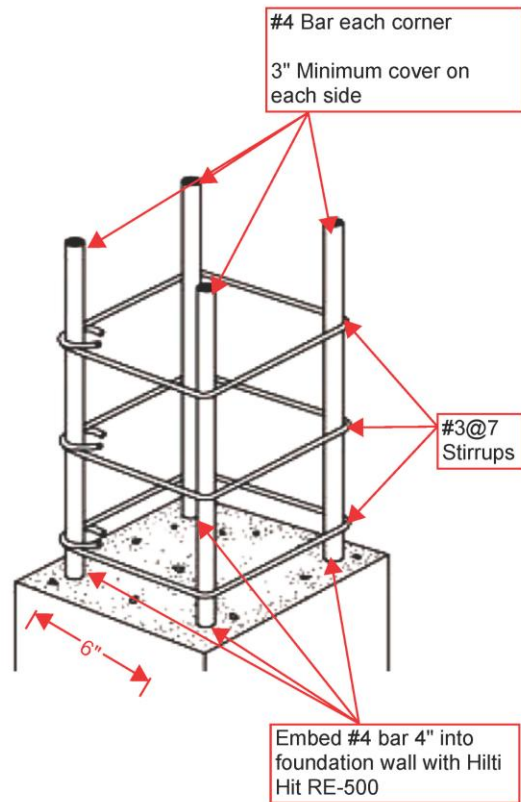
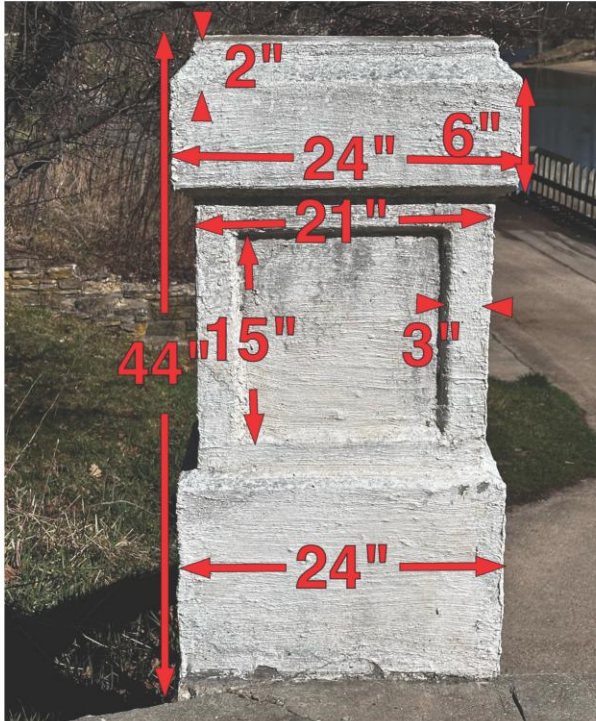
**METAL RAILING FABRICATION:**

- Fabricate steel railing to match the size and design of bridge railing (see detail).

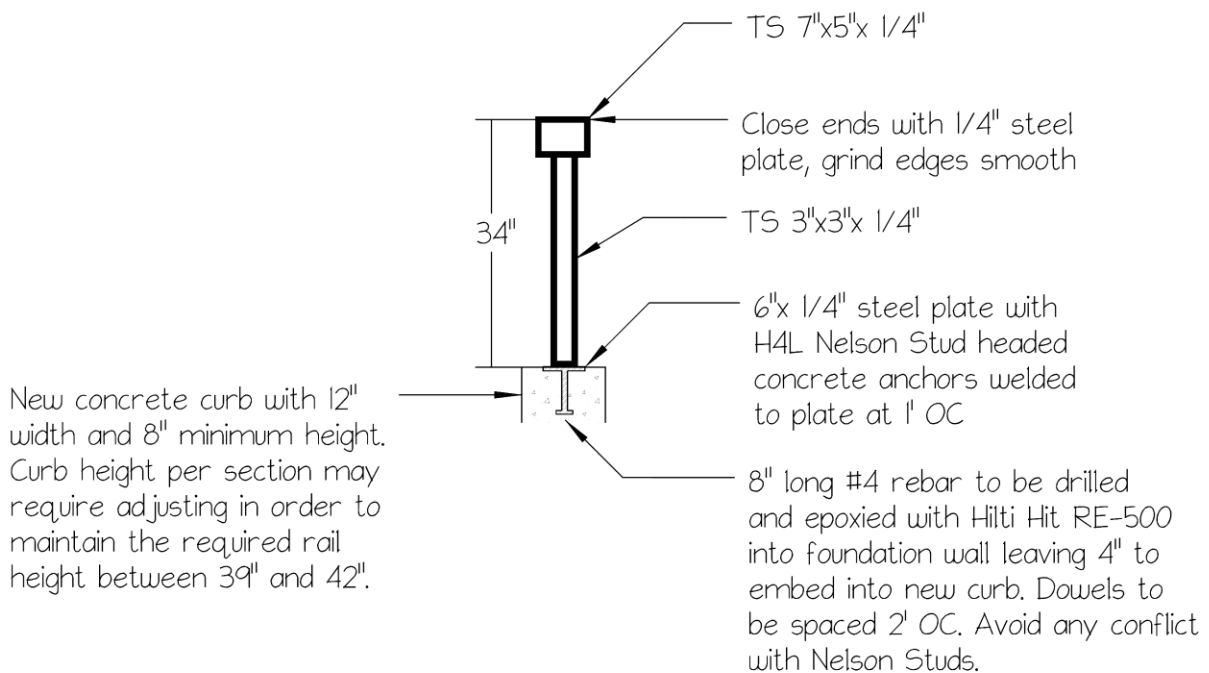


## Column Detail

Front and back to match existing column, opposite side of road by staircase. Depth equal to existing wall--approximately 12".

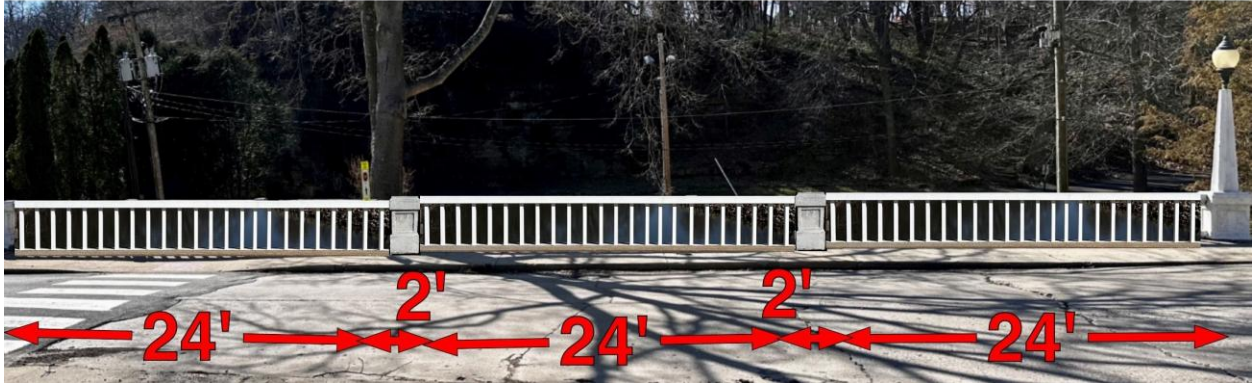


## Railing Cross Section





## Balustrade Design Layout



### INSTALLATION REQUIREMENTS:

- Repair remaining sections of wall and balustrade structures as needed.
- Form, reinforce, and pour new concrete columns (see detail).
- Install dowel rebar.
- Form new curbing one section at a time at a height that ensures railing will meet OSHA requirements.
- Position the metal railing section over freshly poured concrete until the base plate is flush, ensuring proper alignment, and levelness.
- Paint railing to match bridge railing.

### III. GENERAL DETAILS

Contractors shall inform themselves of all the conditions under which the work is to be performed concerning the site of the work, the obstacles that may be encountered, and all other relevant matters concerning the work to be performed under this contract. All necessary equipment to perform work shall be the contractor's responsibility.

The Contractor to whom a contract is awarded will not be allowed any extra compensation by reason of any such matters of things concerning which the Contractor did not inform himself prior to submitting a proposal. The successful Contractor must employ, so far as reasonably possible as determined by Freeport Park District, such methods and means in the carrying out of his/her work as will not cause any interruption or interference with any other park programs or activities.

#### DAMAGE TO PUBLIC OR PRIVATE PROPERTY

Any damage of public or private property caused by the Contractor's operations shall be resolved by the Contractor with the property owner within ten (10) days after damage occurs and shall be resolved to the satisfaction of Freeport Park District. The Contractor shall inform Freeport Park District of any damage caused by the Contractor's operation on the day such damage occurs. Should the damage not be rectified within the time frame agreed upon or to the satisfaction of Freeport Park District, Freeport Park District reserves the right to repair or replace that which was damaged or assess the Contractor such cost as may be reasonable and related to damages caused by the Contractor and deduct these costs from any payment due the Contractor.

**PROTECTION OF EXISTING FACILITIES**

Existing facilities, including grounds, structures, landscaping and so forth shall be protected by the vendor. Any damage to existing facilities shall be reported to Freeport Park District and shall be repaired promptly by the vendor when ordered to do so by Freeport Park District at no cost to Freeport Park District. This includes ruts created by running equipment over lawn areas and damage to plants from work. All repairs of damage to existing facilities shall be made to the satisfaction of Freeport Park District. Failure to repair damage shall be just cause for withholding payment for work.

**CONTRACTOR’S REPRESENTATIVE**

Competent supervisory personnel who can communicate effectively with Park District staff shall always be present on the job. The supervisory personnel shall have full authority to act for the Contractor and receive and execute orders from the Superintendent of Parks and Natural Resources or appointed representative. The Contractor shall properly schedule and train all its personnel. It is required that the supervisor be on site to ensure all work has been completed in a satisfactory manner. Freeport Park District reserves the right to have the contractor assign a new contact person, supervisor, and/or staff, for Freeport Park District’s account if the current representative(s) are deemed unacceptable.

**ACCESSIBILITY OF CONTRACTOR**

The contractor shall supply cell phone numbers and daytime office numbers of supervisors handling this contract. The Contractor shall return all calls within one hour of Freeport Park District placing the call. On-site response time for complaints must be made within 24 hours of the initial call being made by Freeport Park District.

**WORKERS**

Workers must take care to insure the least amount of disturbance to the sites, Park District staff members, and the public. The Contractor is reminded that its employees are to work in a courteous and respectful manner. Inappropriate behavior or examples of unproductive work effort will not be tolerated. Freeport Park District has the right to request that a contractor’s employee be immediately removed from the work crew if the above behavior is exhibited.

**SAFETY AND TRAFFIC CONTROL**

The Contractor shall insure that all its employees or agents shall abide by all safety rules or regulations set by Freeport Park District as well as by general regulations and standards of the industry and in accordance with all applicable federal, state, and local regulations.

The area where this work project takes place is frequently used by both pedestrians and vehicles. It will be necessary to erect construction fencing and barricades to keep the public safe from harm. When construction activity impedes the roadway, the contractor will be required to set up appropriate traffic control measures.

**TRESPASS ON LAND**

The Contractor shall confine his/her operations and storage of materials and equipment to the job site park. The Contractor shall exercise extreme caution so as not to trespass upon the property of third parties not involved in the contract. If the Contractor is to enter upon the property of third

parties in the execution of the work, he shall obtain written permission prior to doing so and submit evidence of said written permission to Freeport Park District.

**WORKING HOURS**

The Contractor shall work between the hours of 7:00 a.m. to 5:00 p.m. Monday through Friday. If work must occur outside of these working hours, the Contractor must request written permission from the Superintendent of Parks before the work begins.

**SUBLETTING CONTRACT**

It is mutually understood and agreed that the Contractor shall not assign, transfer, convey, sublet, or otherwise dispose of this contract or his/her right, title, or interest therein, or his/her power to execute such contract, to any other person, firm, or corporation, without the previous written consent of an authorized representative of Freeport Park District; but in no case shall consent relieve the Contractor from his/her obligations or change the terms of the contract.

**DEFAULT**

The contract may be canceled or annulled by Freeport Park District in whole or in part by written notice of default to the Contractor upon nonperformance or violation of contract terms. Failure of the Contractor to deliver services within the time stipulated, unless extended in writing by Freeport Park District, shall constitute contract default.

**COSTS**

The undersigned hereby affirms and states that the prices quoted herein constitute the total cost to Freeport Park District for all materials and work involved in the respective items.

**FINAL INSPECTION**

Upon notice of completion by the Contractor, the project will receive a final inspection by the Superintendent of Parks and Natural Resources. Any items from this inspection needing attention will be given to the Contractor in the form of a punch list. All items on the punch list must be finished to the satisfaction of the Park District before final payment will be issued.



## PROPOSAL

Prices shall include all materials, labor, and equipment needed for work as specified in sections I, II, and III of these documents.

### Company Information

Company Name: \_\_\_\_\_

Address: \_\_\_\_\_

Telephone Number: \_\_\_\_\_

Email: \_\_\_\_\_

Contact Name: \_\_\_\_\_

Contact Title: \_\_\_\_\_

Signature: \_\_\_\_\_ Date: \_\_\_\_\_

### Lump Sum for Balustrade Railing Renovation

Total Cost: \$ \_\_\_\_\_

The Freeport Park District is tax exempt, identification number E9993-1389-07

## REFERENCES

The Contractor must list at least four (4) references. Each listing should include the firm name, address, telephone number and contact person, for whom the Contractor has supplied services similar in scope to those provided in these specifications.

Name: \_\_\_\_\_

Address: \_\_\_\_\_

Phone # / Fax #: \_\_\_\_\_

Contact Person: \_\_\_\_\_

Dates of Service (from – to): \_\_\_\_\_

Name: \_\_\_\_\_

Address: \_\_\_\_\_

Phone # / Fax #: \_\_\_\_\_

Contact Person: \_\_\_\_\_

Dates of Service (from – to): \_\_\_\_\_

Name: \_\_\_\_\_

Address: \_\_\_\_\_

Phone # / Fax #: \_\_\_\_\_

Contact Person: \_\_\_\_\_

Dates of Service (from – to): \_\_\_\_\_

Name: \_\_\_\_\_

Address: \_\_\_\_\_

Phone # / Fax #: \_\_\_\_\_

Contact Person: \_\_\_\_\_

Dates of Service (from – to): \_\_\_\_\_